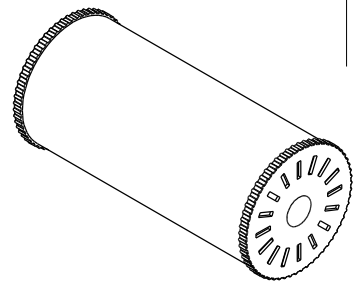
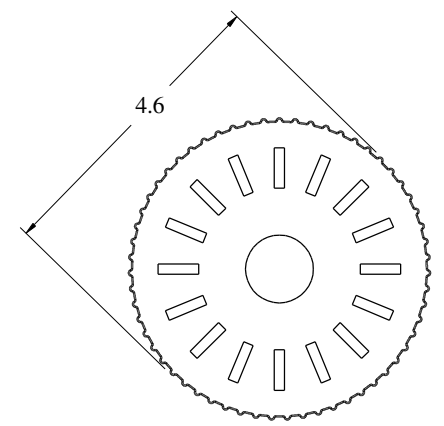
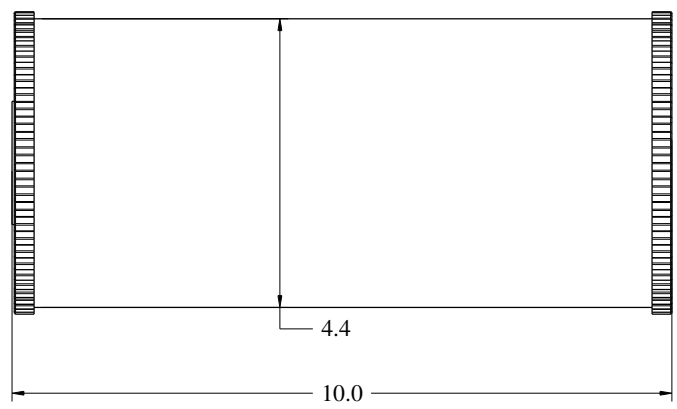
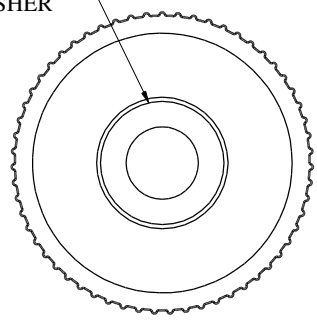



- Notes:
1. ALL DIMENSIONS ARE IN INCHES
 2. CARTRIDGE MATERIAL; ABS
 3. WASHER MATERIAL; TPE
 4. CARTRIDGE FILLED WITH RESINTECH RESINS AND DESIGNATED MEDIA

REVISIONS				
ZONE	REV	DESCRIPTION	DATE	APPROVED



BLUE TPE
WASHER



	DRAWN	KMC	DATE	11/27/12	AF-10-XXXX-BB								
	CHECKED	JB	DATE	11/27/12									
	QA	HRD	DATE	11/27/12	AF SERIES CARTRIDGE 10-INCH SUPER BLUE								
	MFG	KMC	DATE	11/27/12									
MATERIAL:	SEE NOTES			APPROVED	FF	11/27/12	SIZE	B	FSCM NO.	DWG NO.	S-AF-10-XXXX-BB	REV	A
FINISH:	NA					SCALE	1:2		SHEET		1 of 1		