

# SERVICE PARTS

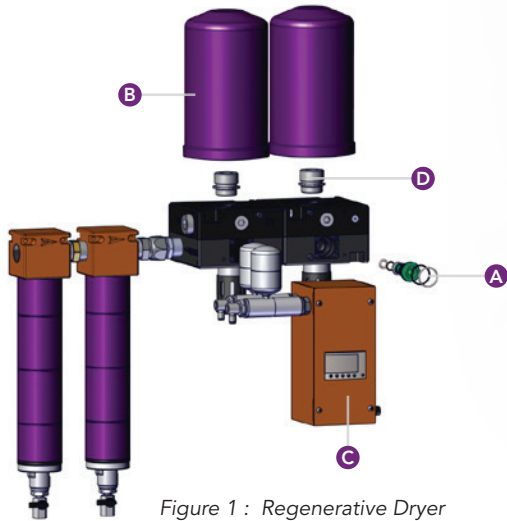


Figure 1 : Regenerative Dryer



Figure 2 : Filtration Hardware

## REGENERATIVE DRYER

ITEM #	DESCRIPTION
A 21999-0707	Piston Rebuild Kit for Degenerative Dryer
B 21999-0976	Tower Replacement - Pure 5 Dryers only
B 21999-0349	Tower Replacement (Standard) Purple
B 21999-0349-BK	Tower Replacement (Standard) Black
- 4055A001	Tower Replacement (High Capacity)
C 21999-0672-10	PLC for 10HP Regenerative Dryer
C 21999-0672	PLC for Regenerative Dryer (15HP or larger)
C 21999-0672-BK	PLC - Custom Dryer
- 21999-0718	Mobile Dryer PLC
- 21999-0714	Power Supply - Regenerative Dryer
- 21999-0714-G	Global Power Supply - Regenerative Dryer
- 21999-0941	Timer Valve Assembly for 110v Dryer
- 21999-0504	Replacement Timer/Coil Assembly - 12v
D 21999-0650-15	Tower Mounting Stud / Regen Valve (.015")
D 21999-0650-30	Tower Mounting Stud / Regen Valve (.030")
D 21999-0650-45	Tower Mounting Stud / Regen Valve (.045")
D 21999-0650-60	Tower Mounting Stud / Regen Valve (.060")
D 21999-0650-80	Tower Mounting Stud / Regen Valve (.080")
D 21999-0650-90	Tower Mounting Stud / Regen Valve (.090")
D 21999-1108-18	Pure 5 Tower Mounting Stud / Regen Valve (.018")
D 21999-1108-30	Pure 5 Tower Mounting Stud / Regen Valve (.030")
- 940825	Muffler Replacement - Pure 5 Only
- 21999-0700	Muffler Replacement - Pure 10 and Ultra Series
- 21999-0890	Tsunami Dryer Heater 12 Vdc
- 21999-0937	Tsunami Dryer Heater 24 Vdc

## DRAINS AND ACCESSORIES

ITEM #	DESCRIPTION
- 21999-0868	Float Drain 3 Pack - Includes bottom O-rings
- 21999-0316	Basic Drain Install Kit - Electronic Drains
- 21999-0317	Deluxe Drain Install Kit - Pneumatic Drains

## FILTRATION HARDWARE

ITEM #	DESCRIPTION
- 21999-0201	Drain Tube Kit - 10 Pack
A 21999-0867	Mounting Bracket - 20 Series
A 21999-0144	Mounting Bracket - 50 & 120 Series

## OUTER TUBE REPLACEMENT

ITEM #	DESCRIPTION
B 21999-0386	Outer Tube - 20 Series
B 21999-0125	Outer Tube - 50 Series
B 21999-0078	Outer Tube - 120 / 240 Series

## BOTTOM CAP REPLACEMENT

ITEM #	DESCRIPTION
C 21999-0388	Bottom Cap - 20 Series
C 21999-0127	Bottom Cap - 50 Series
C 21999-0182	Bottom Cap - 120 / 240 Series

## HEATER WRAPS

ITEM #	DESCRIPTION
D 163-0644	20 / 50 Series - 110 / 120v AC
D 163-0648	20 / 50 Series - 12v DC
D 163-0646	20 / 50 Series - 24 DC
D 163-0649	120 / 240 Series - 110 / 120v AC
D 163-0651	120 / 240 Series - 12v DC
D 163-0650	120 / 240 Series - 24v DC

# SERVICE PARTS

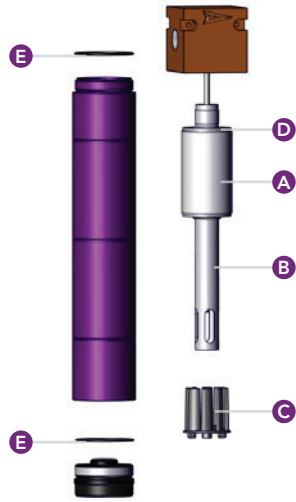


Figure 3 : Water Separator

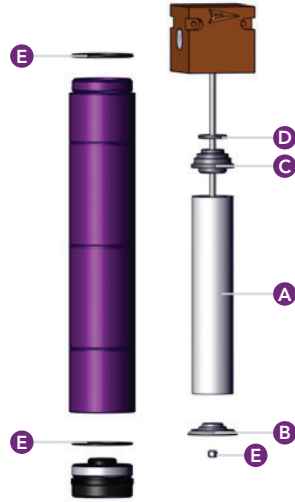


Figure 4 : Oil Coalescing Filter

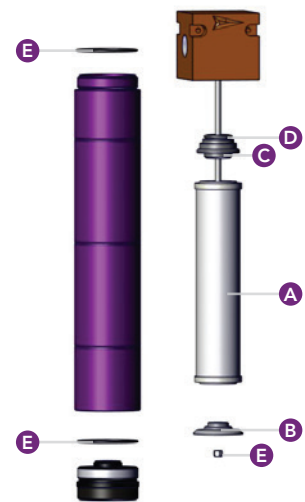


Figure 5 : Activated Carbon Filter

## WATER SEPARATOR

ITEM #	DESCRIPTION
21999-0846	20 Series - Includes (A) Stainless Steel Element, (B) Inner Tube, (C) Bottom Baffle, (D) Adapter, and (E) O-rings
21999-0227	50 Series - Includes (A) Stainless Steel Element, (B) Inner Tube, (C) Bottom Baffle, (D) Adapter, and (E) O-rings
21999-0228	120 / 240 Series (240 requires x 2) - Includes (A) Stainless Steel Element, (B) Inner Tube, (C) Bottom Baffle, (D) Adapter, and (E) O-rings

## OIL COALESCING FILTER

ITEM #	DESCRIPTION
21999-0394	20 Series - Includes (A) Coalescing Element, (B) Baffle, (C) Adapter, (D) O-rings, and (E) Lock Nut
21999-0202	50 / 120 / 240 / Pure 10 Series (240 requires x 2) - Includes (A) Coalescing Element, (B) Baffle, (C) Adapter, (D) O-rings, and (E) Lock Nut
21999-0202-Z-SP	Ultra Model Regenerative Dryer Oil Coalescing Service Kit
21999-0823	Pack of 5 (A) Elements - 20 Series Coalescing Element
21999-0825	Pack of 5 (A) Elements - 50 / 120 / 240 / Pure 10 Series (240 requires x 2)
21999-0828	Pack of 5 (A) Elements - Regenerative Dryer Coalescing Element

## ACTIVATED CARBON

ITEM #	DESCRIPTION
21999-0395	20 Series - Includes (A) Activated Carbon Element, (B) Baffle, (C) Adapter, (D) O-rings, and (E) Lock Nut
21999-0200	50 Series - Includes (A) Activated Carbon Element, (B) Baffle, (C) Adapter, (D) O-rings, and (E) Lock Nut
21999-0824	Pack of 5 (A) Elements - 20 Series Activated Carbon Element
21999-0826	Pack of 5 (A) Elements - 50 Series Activated Carbon Element

## PRECISION EQUIPMENT

ITEM #	DESCRIPTION
21999-0818	20 Series Annual Maintenance Kit - Includes (2) Biannual Coalescing and Activated Carbon Element Kits with O-rings
21999-0819	50 Series Annual Maintenance Kit - Includes (2) Biannual Coalescing and Activated Carbon Element Kits with O-rings